



**“So easy to operate and move around”**



**Proudly Australian**

- **Designed**
- **Owned**
- **Operated**

## **Fulcrum Mobile Clotheslines are a total rethink concept for laundry drying.**

Now it is possible to hang a “true” full load of laundry on a line and be able to move and relocate it around the outdoor space\* to maintain the best drying position.

Built with powdercoated corrosion resistant galvanised steel tube and plate and utilising galvanised and zinc plated fixings means low maintenance.

Steel core wire with PVC coating helps ensure line strength and longevity.

Each corner has a medium duty castor wheel with a brake to stop rolling on sloped surface.



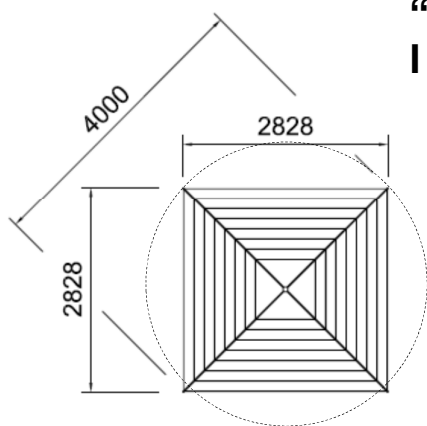
**Available in 3 line lengths:  
40m, 50m or 60m  
AS MUCH AS A FULL SIZE  
ROTARY LINE**

\*mobility with full load subject to certain surface conditions

## BENEFITS TO YOU!

- Hang the laundry under the shade and move it out into the sun
- Reposition it if the sun cast a shadow from structures or plants
- Move it undercover rapidly if rain commences. Saves taking it all off the line
- Smaller footprint than equivalent rotary lines of same line length
- Easy to operate mechanism
- Wings can be folded down for compact storage
- Save power bills by not using the tumble dryer

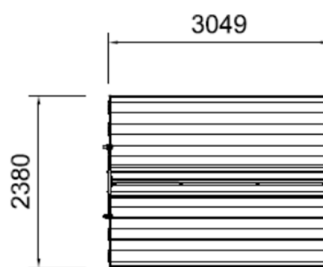
**“Uses so much less space than a rotary line, plus I can move it to the best position in the garden”**



### Equivalent Rotary Clothesline:

Line Length: 58m

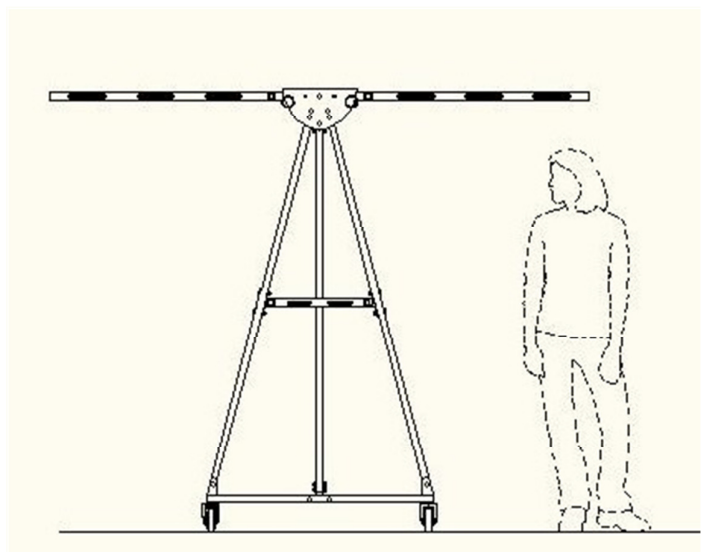
In Use Footprint: 12.57m<sup>2</sup>



### Fulcrum Mobile Clothesline Model HJ60:

Line Length: 60m

In Use Footprint: 7.25m<sup>2</sup>



## FRAME SIZE OPTIONS

MODEL No	FRAME LENGTH	LINE SPACE
HJ60	3.0m long	60m
FJ50	2.5m long	50m
SJ40	2.0m long	40m

## COLOUR CHOICE:

